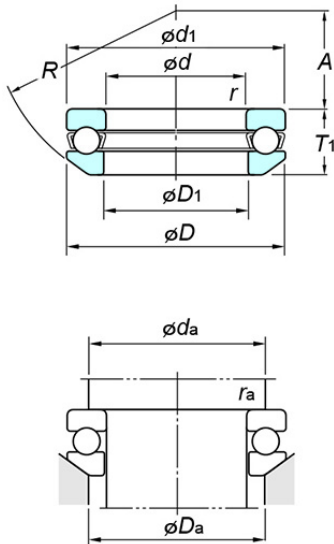


Thrust ball bearings - Single direction - With spherical back face



### Bearing No. 53204

#### Specifications

##### (Boundary dimensions ...etc)

d(mm)	20
D(mm)	40
T(mm)	14.7
r(min.)(mm)	0.6
Basic load ratings Ca(kN)	27.9
Basic load ratings C0a(kN)	37.7
Fatigue load limit : Cu(kN)	1.70
Limiting speeds(Grease lub.)(min-1)	3900
Limiting speeds(Oil lub.)(min-1)	6000
d1(max.)(mm)	40
D1(min.)(mm)	22
D2(mm)	-
D3(mm)	-
A(mm)	18
R(mm)	36
C(mm)	-

#### Mounting dimensions

da(min.)(mm)	32
Da(max.)(mm)	28
ra(max.)(mm)	0.6

#### Refer.

(Refer.)Mass(kg)	0.080
------------------	-------